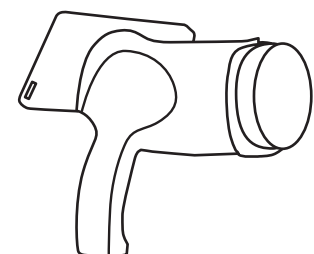


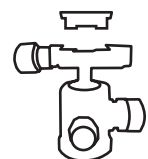


## LT-300HD WITH VERTICAL STAND | QUICK ASSEMBLY GUIDE

 What's inside:



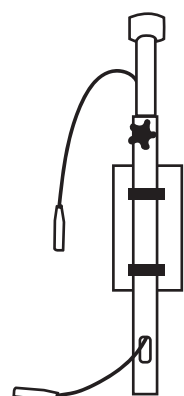
Colposcope Camera



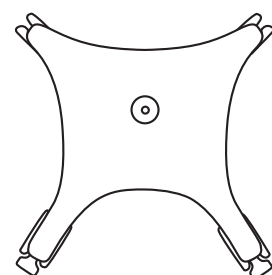
Camera Base/Base Mount



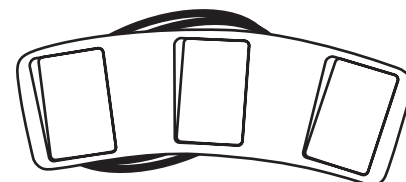
Remote Control with Connector



Vertical Stand Tube with Power Box



Stand Base with Wheels



Foot Pedal



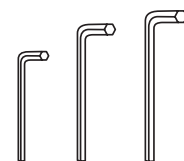
Base Screw



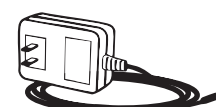
Lock Washer



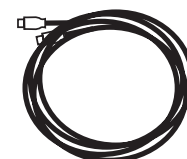
Flat Washer



Allen Wrenches



Power Cord



High-speed USB Cable



HDMI Cable



USB Drive with Lutech Viewer Software

Call **631-676-7432 ext. 1** for your *FREE* virtual training session.

Schedule a live one-on-one support session to quickly setup your colposcope camera and connect to Lutech's free viewer software. **It's Quick. It's Easy. It's Free.**

 See Back for Quick Assembly Instructions

[lutechmedical.com](http://lutechmedical.com)

©2026 Lutech Medical. Version 3.0



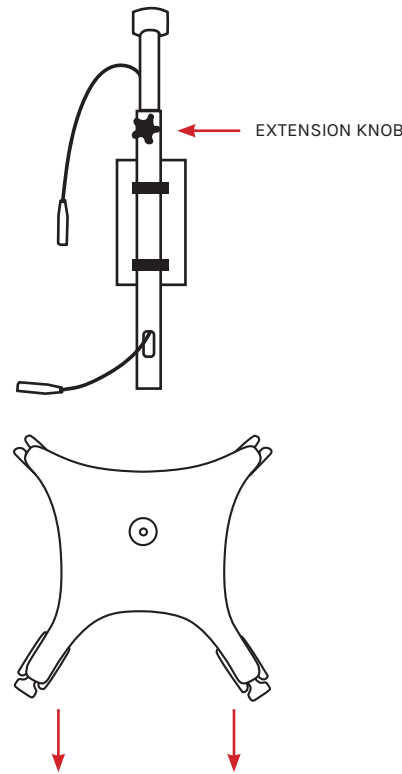


## QUICK ASSEMBLY INSTRUCTIONS

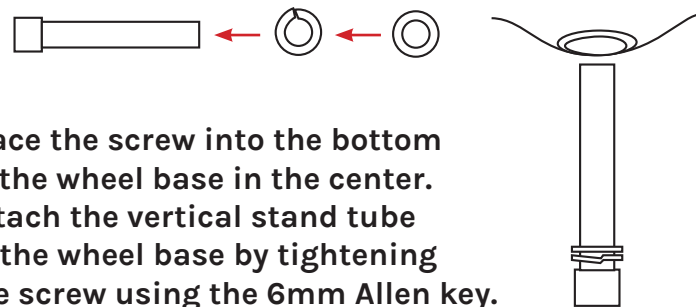
### LT-300HD WITH VERTICAL STAND

Before you begin assembly, open and inspect the pieces.

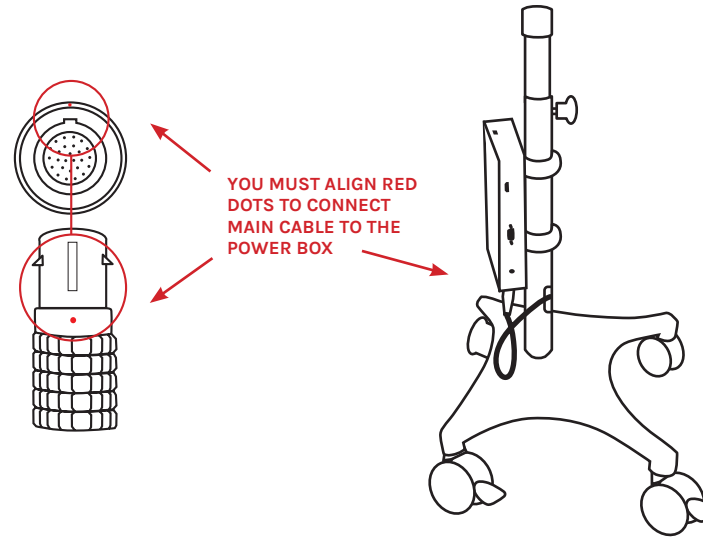
1. Insert the vertical stand tube with the extension knob toward you into the wheel base with the longer legs toward you.



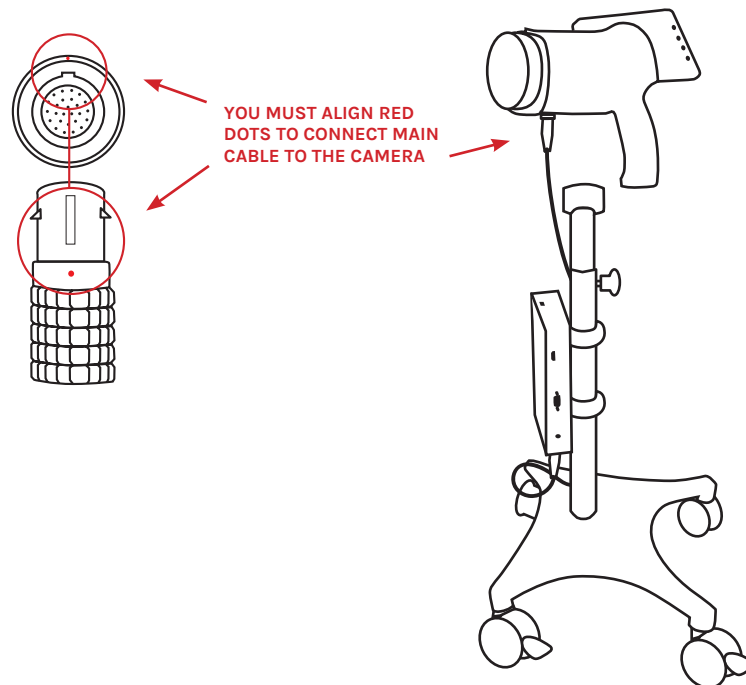
2. Place the split lock washer onto the screw first. Then place the flat washer on top.



3. Take the main cable coming out of the bottom hole on the vertical stand tube and insert it to the bottom port of the power box. Carefully align notches with red dots to connect.

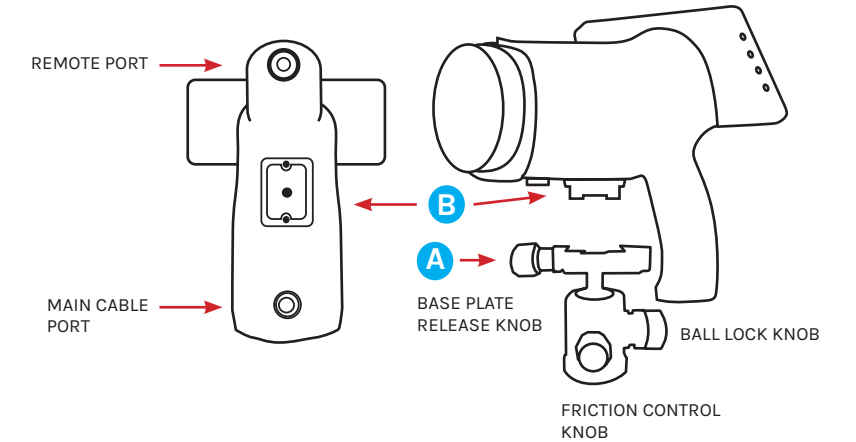


4. Plug the main cable coming out of the top of the vertical tube into the connector located on the bottom of the colposcope. This port is located toward the front of the camera. Carefully align notches with red dots to connect.



5. Fully open the camera base mount using the base plate release knob **A**. Slide the camera base plate **B** onto the camera mount and tighten the base plate release knob clockwise to secure the colposcope.

Note: The camera base plate should already be attached to the bottom of the colposcope.



**IMPORTANT: DO NOT let go of the colposcope camera until the base plate release knob is securely tightened, and the ball lock knob and the friction control knob are tightened.**

6. Finally, plug the remote connector into the port located on the bottom of the colposcope camera handle.

